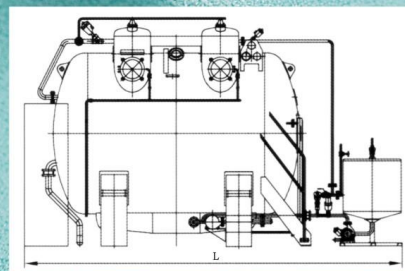
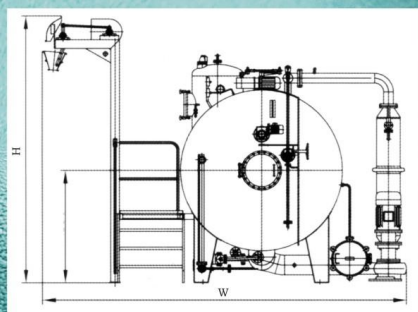


HD-RGH 高温高压液流染色机

HIGH TEMPERATURE OVERFLOW JET DYEING MACHINE

设备型号尺寸 Equipment model and size:

型号 Model	RGH-1	RGH-2	RGH-3	RGH-4	RGH-6	RGH-8
长 L (mm)	4050	5557	7120	8828	11 950	1 5250
宽 W (mm)	5480	5550	5700	5700	5700	5700
高 H (mm)	3250	3300	3300	3300	3300	3300



品质、服务、创新是华迪人永恒的追求
Huadi always keep the high quality, good servie and innvoation.

盐城市华迪机械制造有限公司

地址：江苏省射阳县经济开发区人民东路50号
电话：0515-82319933 13905117532 13382631537
电子信箱：ychd2319933@163.com
公司网址：www.cnhdst.com

YANCHENG HUADI MACHINERY MANUFACTURING CO., LTD

Address: No. 50 Renmin East Road, Economic Development Zone,
Sheyang County, Jiangsu Province, China
Tel: 0515-82319933 13905117532 13382631537
E-mail: ychd2319933@163.com
Website: http://www.cnhdst.com

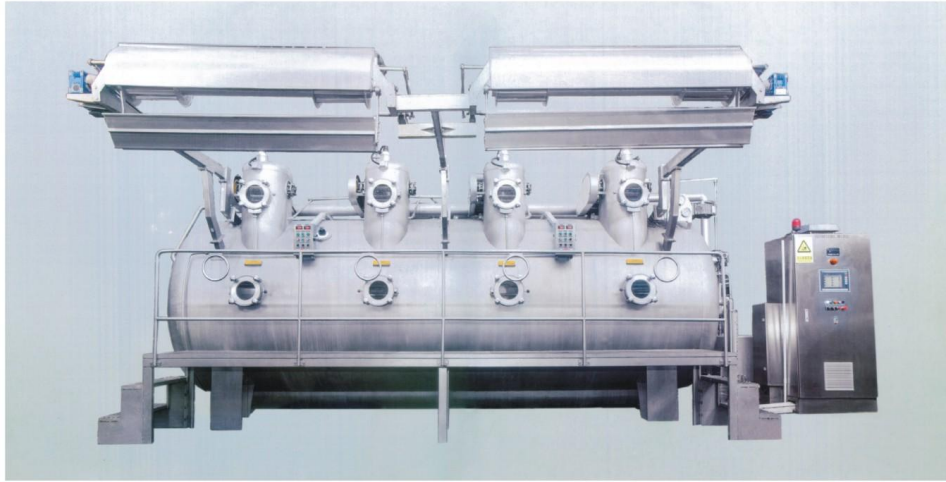
由于产品不断改进设计，所提供的产品与样本中所描述的有所不同，本公司拥有对产品样本解释权

盐城市华迪机械制造有限公司
YANCHENG HUADI MACHINERY MANUFACTURING CO., LTD



HD-RGH 高温高压液流染色机

HIGH TEMPERATURE OVERFLOW JET DYEING MACHINE



主要特点 Main Features:

- ◎染色周期短。由于浴比小，热交换效率高，升温速度快。
- ◎浴比小，更节能减排。
- ◎大容量，生产效率高。180mg/m²以上的中厚织物，最大容量450Kg/管。
- ◎水洗充分。可采用溢流水洗又可采用连续水洗，故有非常好的水洗效果，节能省时。
- ◎混料更均匀。安装染液混料泵，使染料在染液中混合更加均匀。
- ◎旋转洗缸。洗缸效果好，效率高，更节水。
- ◎杜绝堵布打结现象。采用摆布装置、变截面形式且底部衬有特氟龙的储布槽，使得织物的堆积均匀、顺畅，织物在槽内不会出现打结和侧翻现象，织物堆积及挤压力均匀一致，避免了织物色花或折皱现象。设置堵布报警装置，堵布打结时及时报警，提布辊及时反转。
- ◎穿布极为方便。进布口在喷嘴上方，穿布极为方便。
- ◎主循环泵、提布辊、摆布均采用交流变频控制，以适应不同的染色工艺。
- ◎采用染色机专用电脑，可对染色工艺参数进行修改和储存，并通过PLC控制，实现染色工艺全自动化。

- ◎Short dyeing period, due to small liquor ratio, high heating efficiency, fast heating up.
- ◎Small liquor ratio: It is more energy saving and emission reduction.
- ◎The production of large-volume fabrics can greatly increase the production efficiency. A 170mg/m² or more medium weight fabric allows the effective running fabric to reach 450 Kg/tube.
- ◎Thorough washing result: Thanks to the employment of both overflow washing and continuous washing, so it has very good washing effect, saving energy and time.
- ◎Evening mixing of dye stuff inside the liquor, owing to the use of a mixing pump.
- ◎A rotary washing device for cleaning the dye vessel employed, to ensure better cleaning result, higher efficiency and less water consumption.
- ◎No knotting or blocking. The use of a plaiter, a variable cross-section and a Teflon-filled cloth storage channel at the bottom make the fabric evenly and smoothly stacked. The fabric does not appear knotted and rolled over in the cloth channel, and uniform piling and squeezing of the fabric inside the cloth channel can be achieved and as a result color difference and creases on the fabric can be avoided. Install the blocking alarm device, timely alarm when the cloth is knotted, and the lifting roller should be reversed in time.
- ◎Easy threading, due to the location of the cloth inlet being above the nozzle.
- ◎Main pump, lifting roller, plaiter and controlled by an inverter, so that different dyeing processes can be adopted.
- ◎Reliable dyeing quality, due to the use of a special computer which revises and stores the processing parameters and controls the whole machine via a PLC to realize full dyeing process automation.

使用范围 Applications

本机适用于棉、涤纶织物；涤棉及其他混纺等织物的松式绳状染色及前后处理。

The machine is suitable for tenlesson dyeing, pretreatment or post-treatment of fabrics made of cotton, polyester, cotton/polyester and other blends in rope form.



品质 · 服务 · 创新 high quality, good service and innovation.

主要技术参数 Main technical specifications:

- ◎型式 Type: 卧式圆筒型 Horizontal cylindrical type
- ◎管数 Tubes: 1、2、3、4、6、8
- ◎最大容量 (克重 180~300mg/m²中厚织物约450kg/管左右 Max. cloth capacity (based on 180~300 mg/m about 450kg 1 tube) :

管数 No. of tubes	1	2	3	4	6	8
容量 Max. cloth capacity (Kg)	350	700	1050	1400	2100	2800
装机容量 Installed power (kW)	22.04	28.24	40.04	51.34	75.84	90.24

- ◎浴比 Liquor ratio: 1:3 (涤纶 polyester) 1:4.5 (纯棉 pure cotton)
- ◎织物线速度 Fabric linear speed: 100~400m/min
- ◎最高工作温度 Max. working temperature: 134°C
- ◎最大工作压力 Max. working pressure: 0.3MPa
- ◎平均升温速率 Max. heating up rate: 3~4°C/min (蒸汽压力 with steam pressure 0.5~0.7MPa)



结构与特征 Structure and its features:

- ◎本机主要由主缸、热交换器、染液循环系统、提布辊、摆布装置、加料系统、旋转洗缸装置、除毛器、过滤器和出布辊等组成。
- ◎缸体内底部衬有特氟龙管与特氟龙板，减少织物运行阻力。
- ◎主缸液位模拟量控制，精度高。并设置压力、温度保护。
- ◎热交换器采用列管式，具备换热效率高的特点，可实现比例升温控制。
- ◎染液循环系统由染液循环泵、染液喷嘴、过滤器、除毛器等部分组成，为织物提供充分的上染条件。
- ◎摆布装置，保证织物在储布槽内具备良好的堆置状态。
- ◎加料系统由加料泵、加料桶、比例控制阀等组成，实现比例加料控制。自循环搅拌功能加速染料和助剂的溶解，搅拌更均匀。

- ◎The machine consists of a dyeing vessel, a heat exchanger, a dye liquor circulating system, a lifting roller, a plaiter, a dosing device, a rotary washing device, a hair remover, a filter and a fabric discharge roller.
- ◎The bottom of the dyeing vessel is coated with Teflon tube and Teflon plate to reduce running assistance of the fabric.
- ◎Liquor level of the vessel is controlled modularly with high accuracy. Pressure and temperature protection is available.
- ◎The shell-and-tube heat exchanger is used, which features high heating efficiency and proportional temperature rise.
- ◎The dye liquor circulating system is composed of a liquor circulation pump, a dye liquor nozzle, a filter and hair remover, which supplies adequate dyeing conditions for different fabrics.
- ◎The plaiter stacks the fabric to ensure the best fabric pile-up in the cloth storage channel.
- ◎The addition system is composed of an addition pump, an addition tank and a proportional control valve, realizes dosing control of liquor addition. The self-circulating agitation function accelerates the dissolution of dyes and auxiliaries, and the mixing is more uniform.

