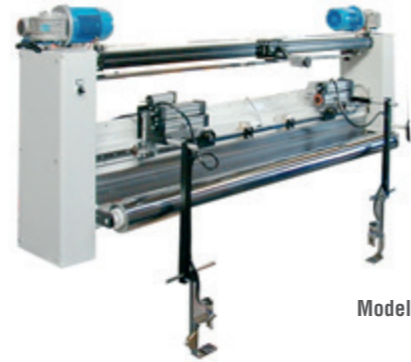




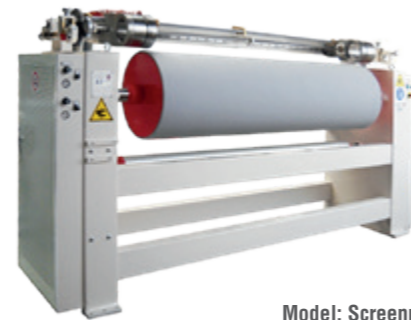
Model: HSM-2



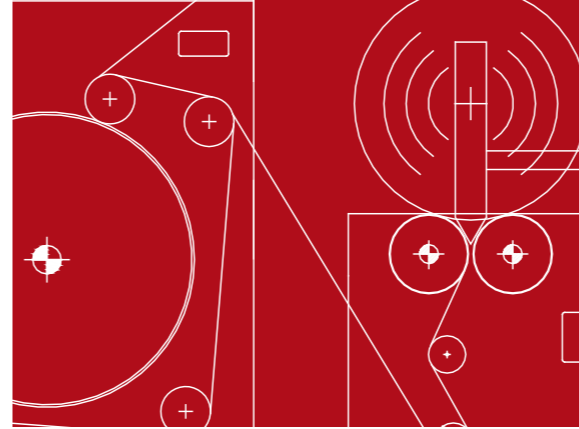
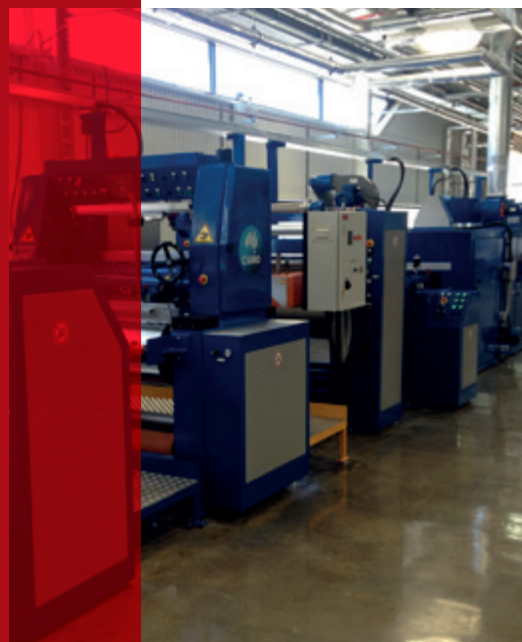
Model: RR



Model: Rotoprint



Model: Screenprint



DESIGN

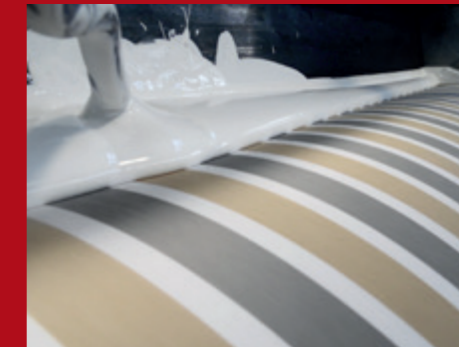
MANUFACTURING

SERVICE

FINISHING, COATING AND LAMINATING MACHINERY

COATING

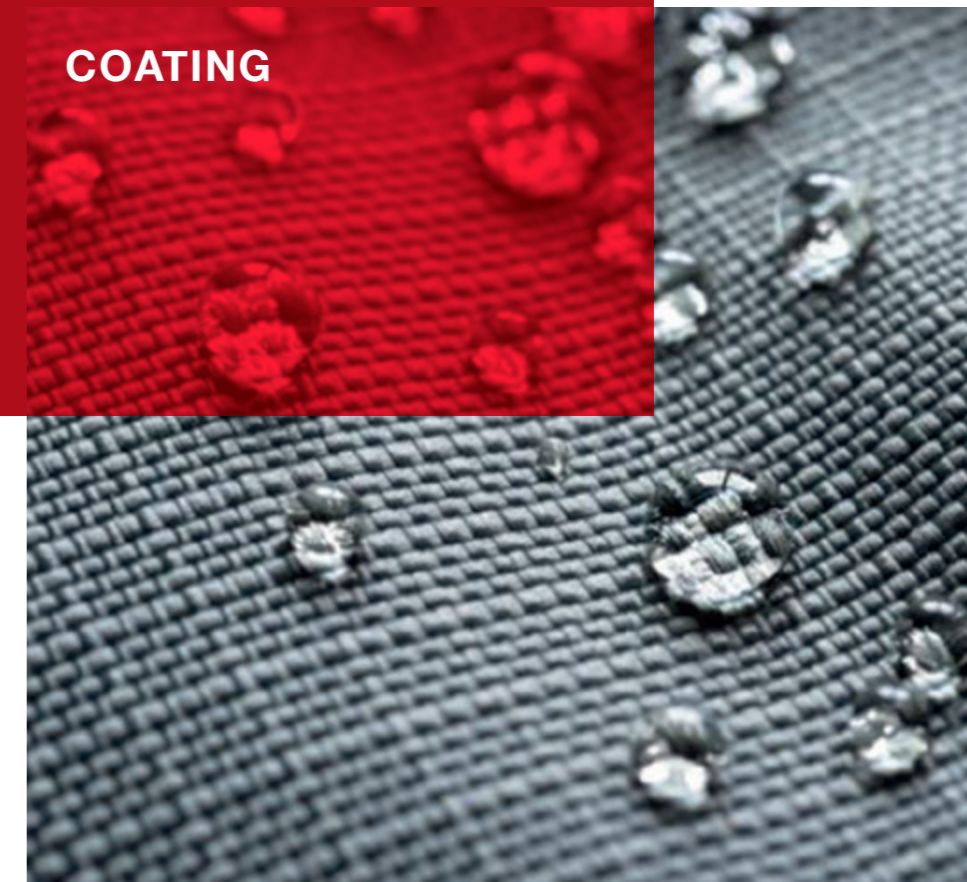
For over 60 years "Antonio & Fratelli Zappa" has designed and produced single coating heads and complete coating lines, selling and testing them in Italy and abroad. The great experience acquired during these years of work in close collaboration with our clients has extended the range of possibilities and solutions that we can now offer to our clients. Our lines can be used in a wide variety of applications, fashion industry, technical textiles, synthetic leather, manufacturing of films/membranes, Pre-preg industry that is a developing product widely used in aerospace / aeronautics, sports, automotive, energetic and electronics. Direct coating of fabric/textile, non-woven and paper, transfer coating on paper and film, endless possibilities of customization for any kind of requested application.



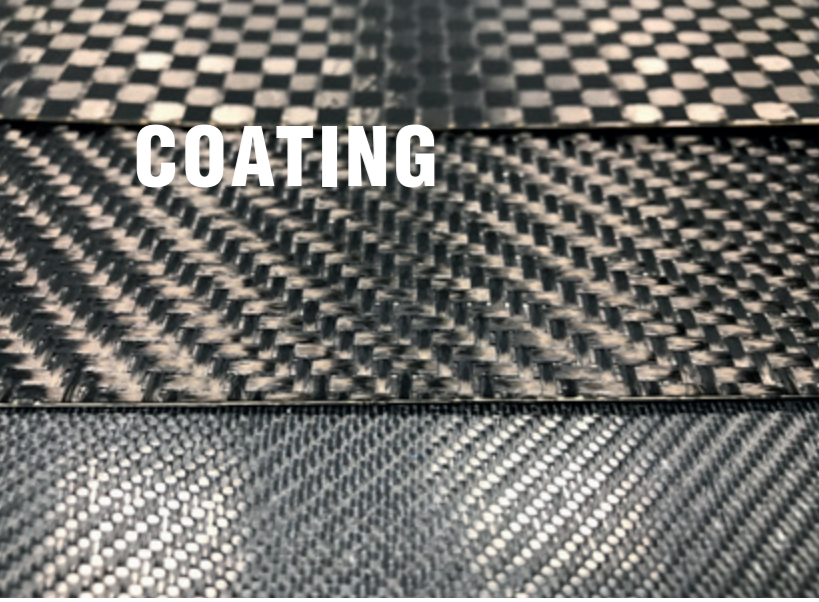
COATING

Antonio e fratelli Zappa S.A.S.
Partita I.V.A. 00202820130
Via Trieste, 11 - 22037
Ponte Lambro (Como) Italy

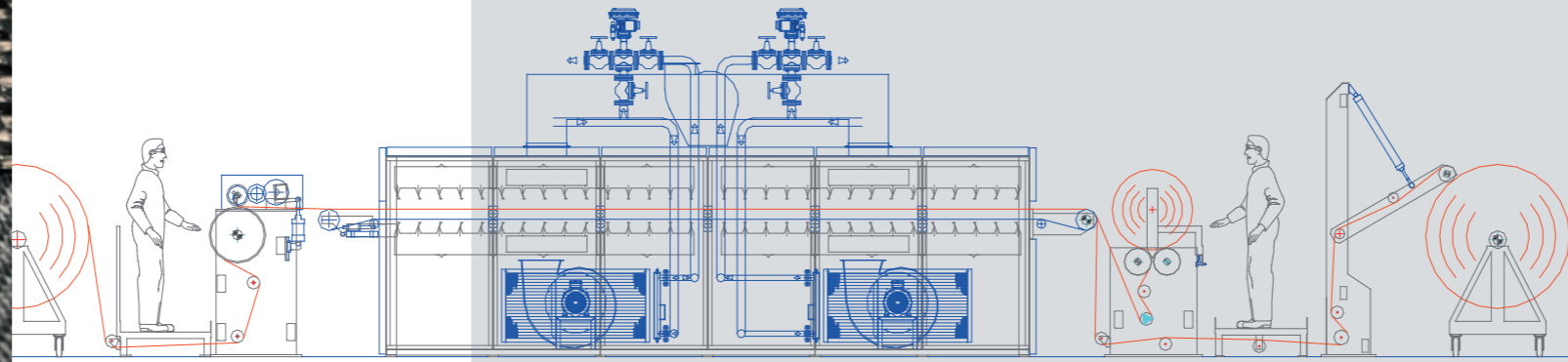
+39 031/620327 ☎
+39 031/621926 📠
central@fratellizappa.191.it ✉
www.zappamacchine.com 🌐



COATING



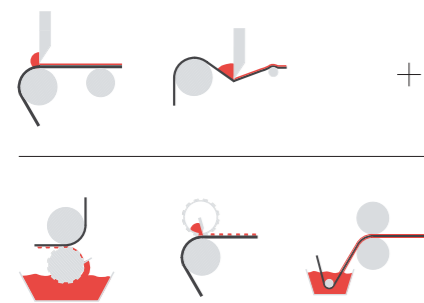
LINE CONFIGURATION



Rotary screen coating and printing head- model: Screenprint

It is possible to print with screen printing roll; mono-colour printing with different pattern through dots coating, may be use to coat thermo-adhesives solution too. The rotary screen coating machine is outfitted with an aluminum blade holder that push the emulsion paste out of the screen roller on fabric, at the same time pushing against the rubber beck-up roller to apply uniformly the emulsion coating. The complete line is usually equipped with belt dryer. Quick and easy replacement of screen roll. Compact and modular design, customizable with other accessories according to client's requirements and it is possible to install rolls of different widths and diameter. Textile industries involved: home textile, curtains and fashion.

Web width from 1600 to 3200 mm.
Coating weight depending on roller characteristics
Screen roller on client requirement
Mechanical speed 0 – 40 m/min.



Coating head - model: HSM-2

Blade in air and blade over roll coating is possible. Precise, versatile and easy to use machines. Our coating heads are used in several application fields such as traditional textile, technical textile, prepeg, etc. Standard head can be combined with other coating technology and coating systems such as rotary screen printing unit, rotogravure or reverse roll coating and impregnation unit. Direct coating of fabric/textile, non-woven, composite materials, paper and film. Endless possibilities of customization for any kind of requested application. Wide range of accessories for client-tailored customization. The whole doctor blade assembly may be adjusted vertically by a micrometric motorised system independent or simultaneous for the right and left side, allowing an extremely accurate blade gap setting. The doctor blade assembly may also be moved horizontally by a motorized mechanism. This system allow the positioning for the blade on air coating. The assembly may also be rotated through 360° to allow for changing blade type and setting the true coating position.

Web width from 500 to 5000 mm.
Blade gap setting min 0.07 mm
Back up roller tolerance 0.01 mm
Mechanical speed 0 – 40 m/min.
Heating Oil filled and electrical heated roller
 Blade electrically heated



Coating head - model: RR

Direct blade in air coating of adhesive and resin on fabric is possible. Knife coating is a process where an excess of coating material is applied to the substrate and removed by a metering blade to achieve the desired coating weight. Can be placed in front or inside stenter frame. Wide range of accessories for client-tailored customization. Extremely compact unit. Small investment and use in endless application from coloring to finish purposes on furniture, curtain and many other type of fabric.

Web width from 500 to 5200 mm.
Coating weight depending on blade shape
Mechanical speed depending on line speed

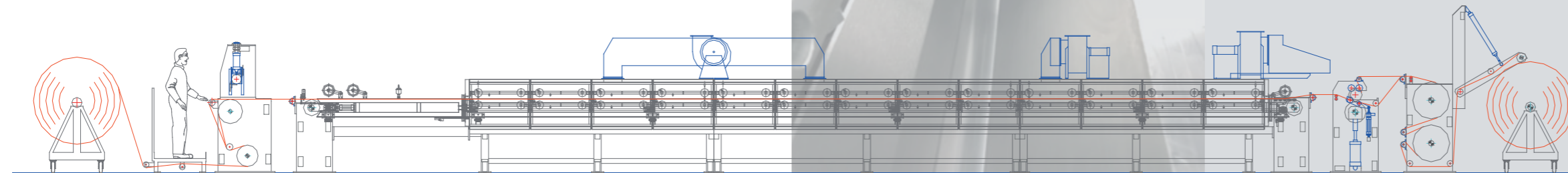
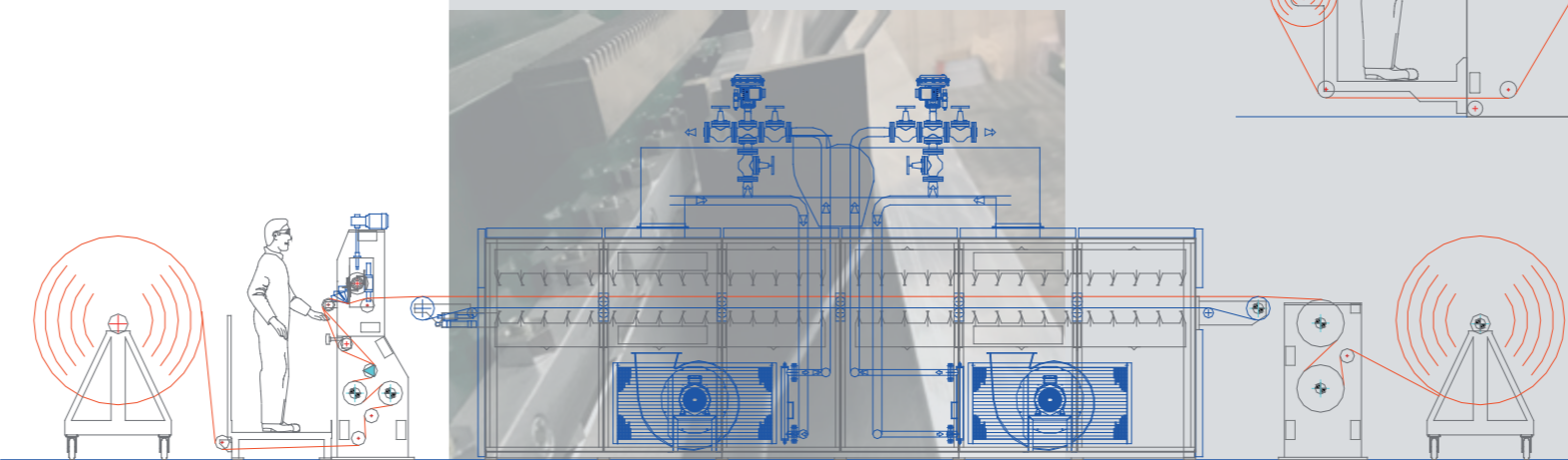
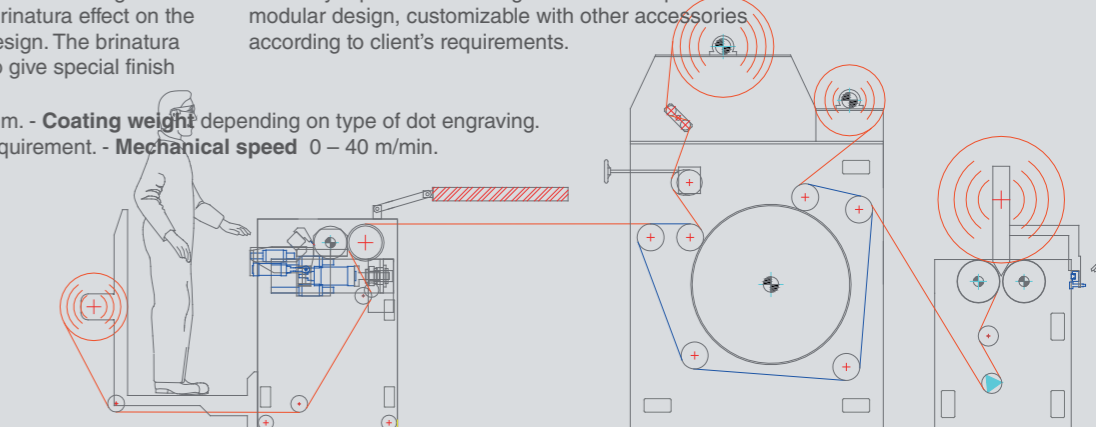


Rotogravure head - model: Rotoprint

Rotogravure head used to coat different water based resin on fabric. Widely used for the so called "Brinatura effect," a particular process to apply resin to the fabrics. The application consist in micro-dot of resin applied on fabric through different engraved roller. It is possible to apply the brinatura effect on the whole surface or with different design. The brinatura may be the last finishing stage to give special finish

Web width from 1600 to 3600 mm. - **Coating weight** depending on type of dot engraving.
 - **Engraving pattern** on client requirement. - **Mechanical speed** 0 – 40 m/min.

to the fabric, or to apply a drawing with shiny effect, or it can be the basis for application of special effects such as lamination with metallized films. The complete line is equipped with felt calender or belt dryer. Quick and easy replacement of engraved roll. Compact and modular design, customizable with other accessories according to client's requirements.



DRYER

Zappa produces different drying systems and ovens, individually, or in combination to our pad mangle, coating heads and powder scatter heads. We manufacture drying system with different type of heating such as:

- infrared heaters
- air jet gas burner
- oil heating

We propose different solutions to hold and transport the fabric/paper inside the drying tunnel

- Belt
- Support lap rollers,
- Stenter frame (vertical chain with pins)